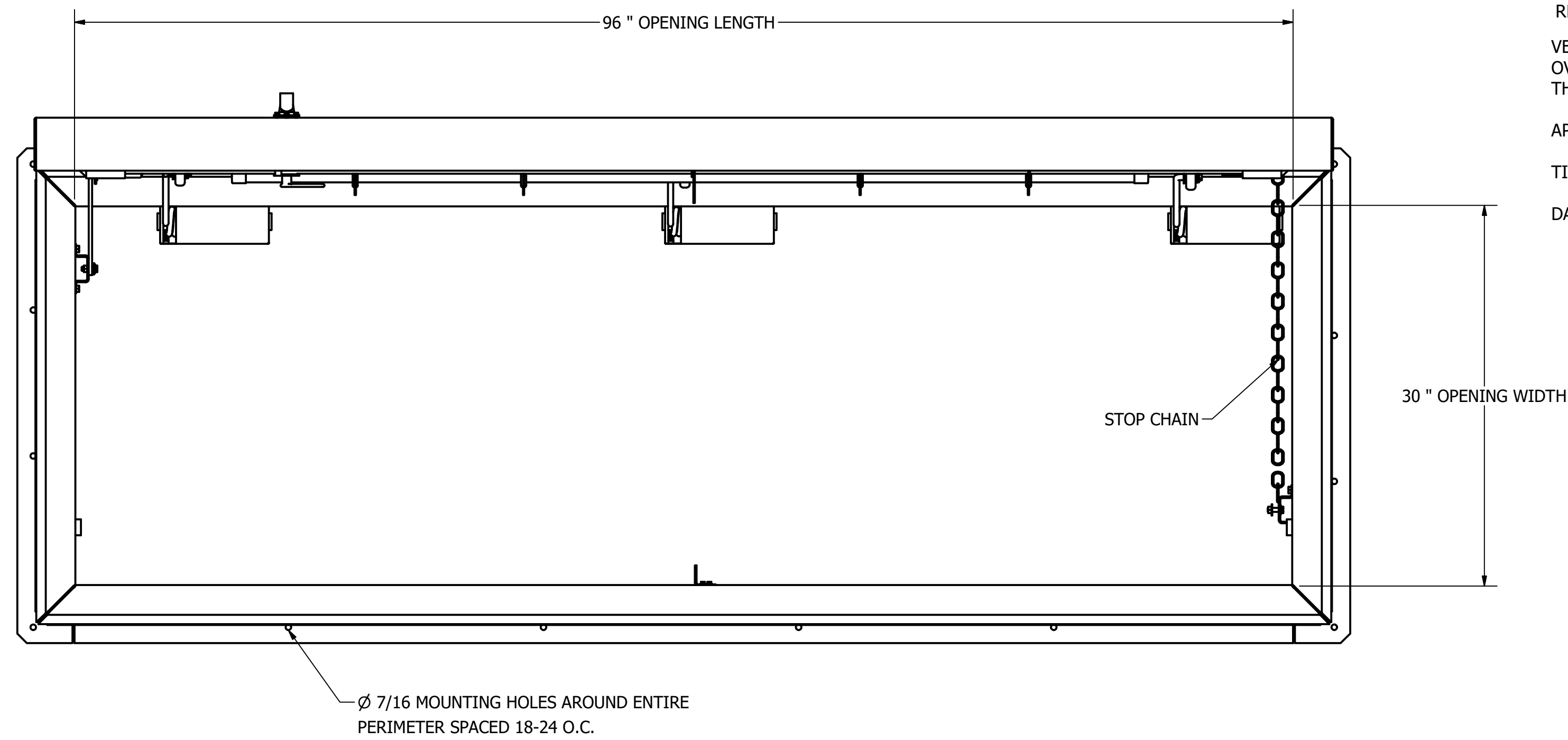


8 7 6 5 4 3 2 1



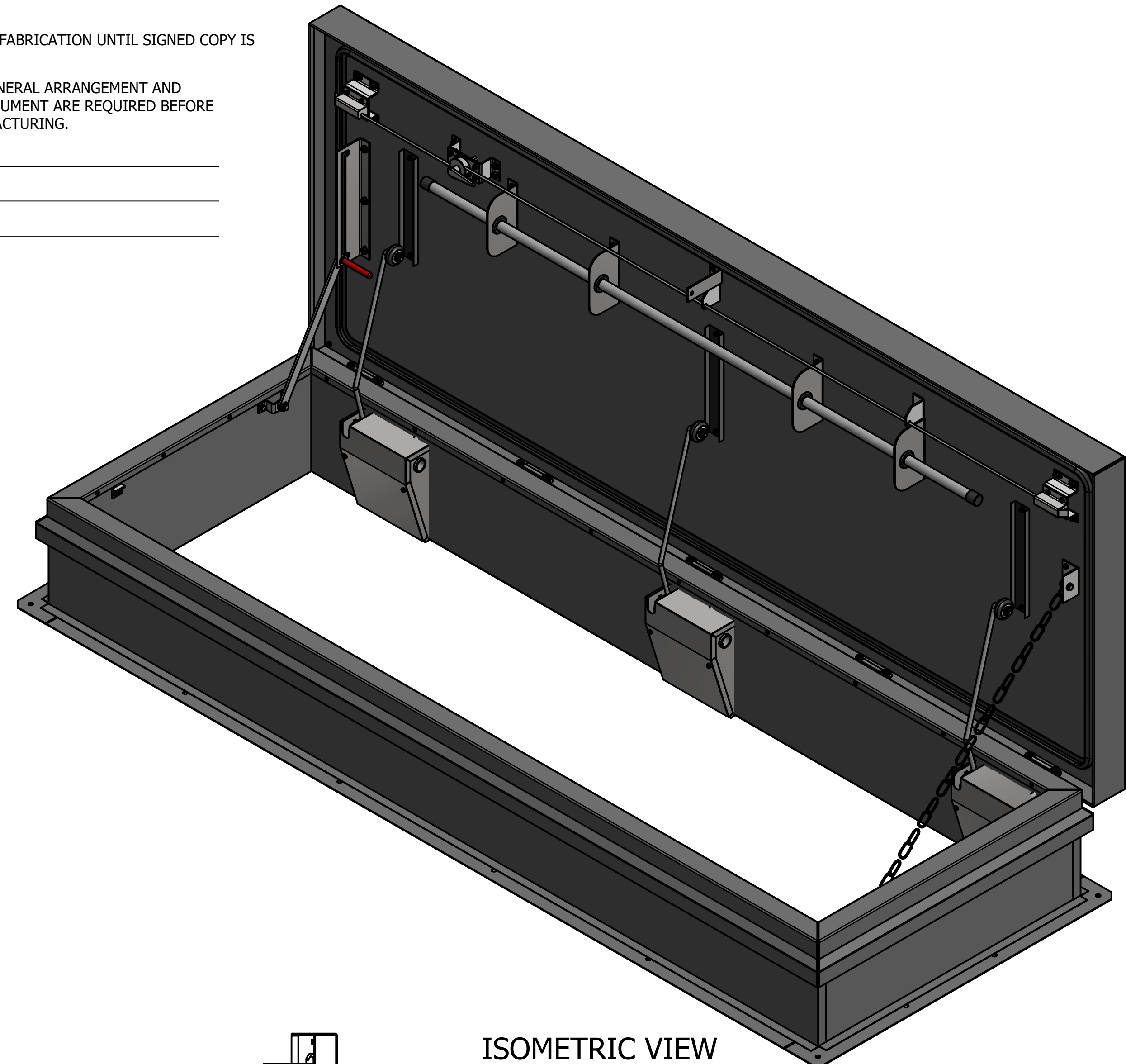
ORDER WILL NOT BE RELEASED FOR FABRICATION UNTIL SIGNED COPY IS RECEIVED.

VERIFICATION AND APPROVAL OF GENERAL ARRANGEMENT AND OVERALL DIMENSIONS FOR THIS DOCUMENT ARE REQUIRED BEFORE THE ORDER IS ENTERED FOR MANUFACTURING.

APPROVAL SIGNATURE _____

TITLE HELD _____

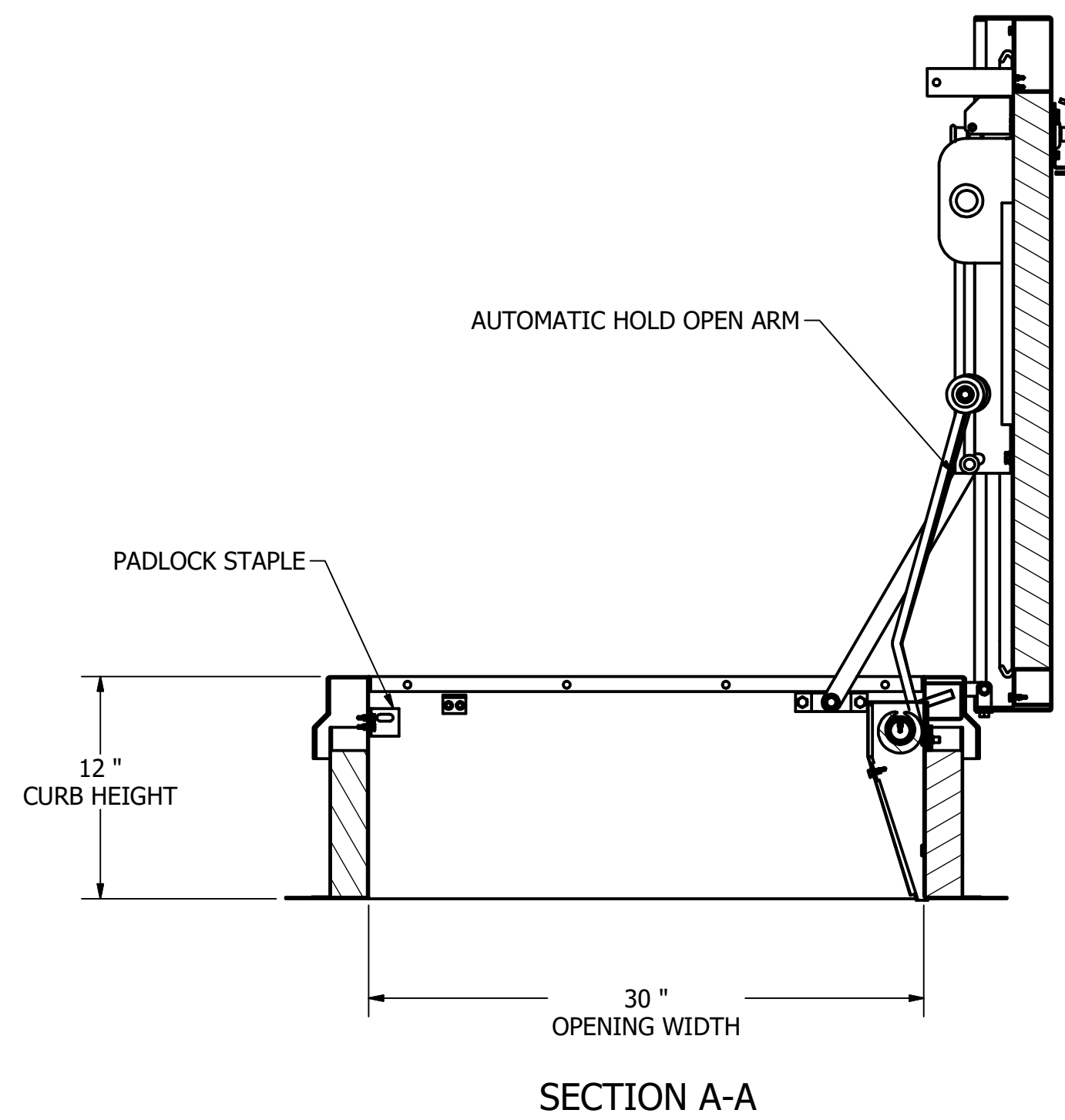
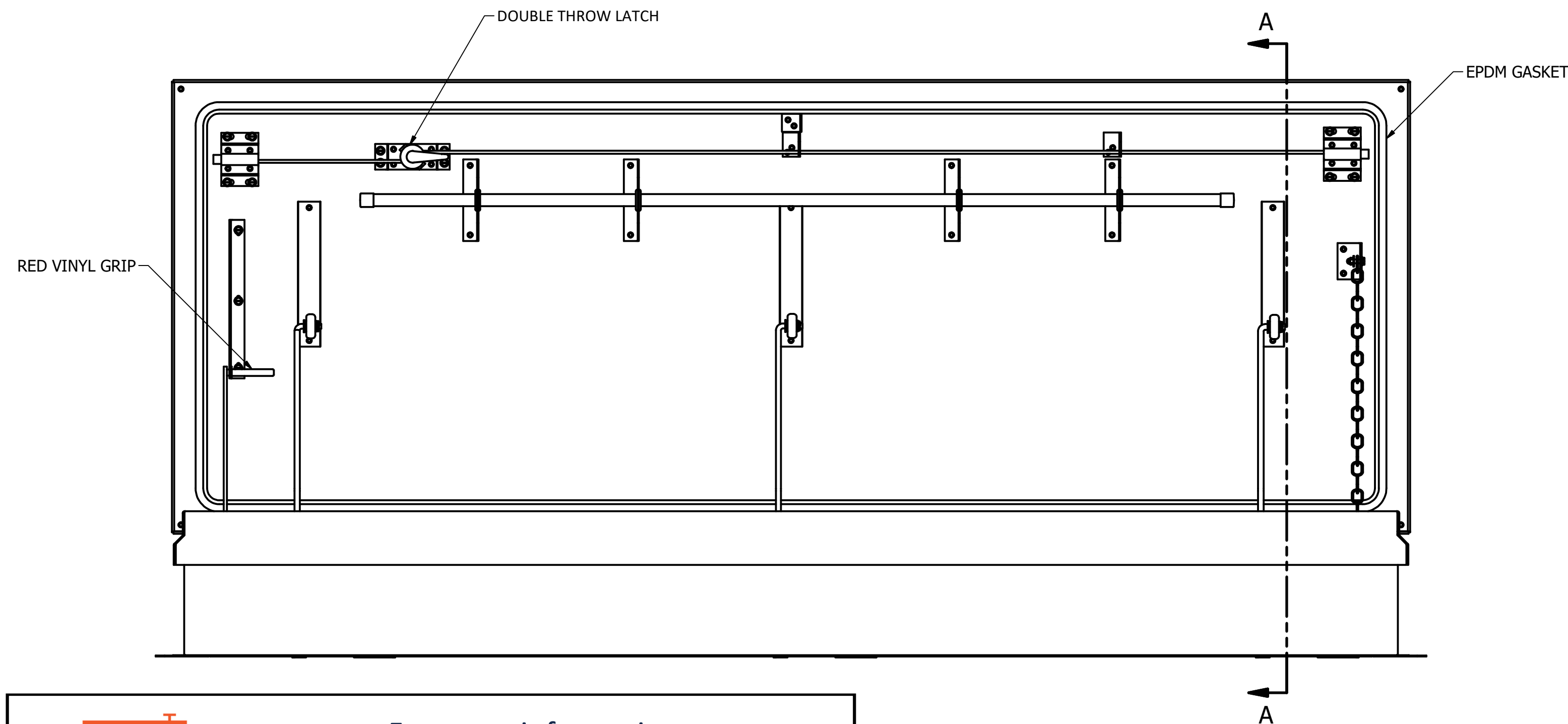
DATE OF APPROVAL _____



ISOMETRIC VIEW

NOTES:

- SIZE: 2'-6" X 8'-0"
- 1. CURB MATERIALS
 - a. 14 GA GALVANIZED CURB
- 2. CURB CAP MATERIALS
 - b. 14 GA GALVANIZED CURB CAP
- 3. CURB LINER MATERIALS
 - c. 22 GA GALVANIZED CURB LINER
- 4. CURB INSULATION THICKNESS AND MATERIALS
 - d. 2" POLYISOCYANURATE CURB INSULATION
- 5. COVER MATERIALS
 - e. 14 GA GALVANIZED COVER
- 6. COVER LINER MATERIALS
 - f. 22 GA GALVANIZED COVER LINER
- 7. COVER INSULATION THICKNESS AND MATERIALS
 - g. 2" POLYISOCYANURATE COVER INSULATION
- 8. COVER RATED FOR 70PSF LIVE LOAD
- 9. COVER AND CURB ARE PAINTED WHITE
- 10. ZINC PLATED HARDWARE



BEST ROOF HATCHES For more information, contact us at info@bestroofhatches.com or call us at 1-800-431-8651

DRAWN	BC	4/17/2019	For more information, contact us at info@bestroofhatches.com or call us at 1-800-431-8651	
CHECKED	CD	MILCOR	TITLE	
QA		TOLERANCE UNLESS SPECIFIED	M-3 EE 30X96 SINGLE LEAF ROOF HATCH	
MFG		.XXX ± 0.005"	SIZE	DWG NO
APPROVED		.XX ± 0.01"	D	3501-512-9EE
		FRACT. ± 1/16"	SCALE	REV A
		ANGLES ± 1°		SHEET 1 OF 1

8 7 6 5 4 3 2 1